

ALEXANDRA TERRACE

TYNEDALE TERRACE

Silverdale

Sunningdale

WHETSTONE BRIDGE ROAD

ALLENDALE ROAD

ALEXANDRA CRESCENT

TYN

Silverc

PROPOSED BUS STOP FLAG

LENGTH OF EXISTING SINGLE-YELLOW LINE PARKING RESTRICTION TO BE REDUCED

EXISTING SINGLE-YELLOW LINE PARKING RESTRICTION TO BE REPLACED WITH DOUBLE-YELLOW LINE PARKING RESTRICTION

PROPOSED DOUBLE-YELLOW LINE PARKING RESTRICTIONS

PROPOSED PEDESTRIAN CROSSING

PROPOSED SCHOOL KEEP CLEAR MARKINGS

19
20

PROPOSED DOUBLE-YELLOW LINE PARKING RESTRICTIONS

PROPOSED SCHOOL KEEP CLEAR MARKINGS

EXISTING SINGLE-YELLOW LINE PARKING RESTRICTION TO BE REPLACED WITH DOUBLE-YELLOW LINE PARKING RESTRICTION

PROPOSED DOUBLE-YELLOW LINE PARKING RESTRICTION TO TIE INTO EXISTING

EXISTING SCHOOL KEEP CLEAR MARKINGS TO BE REMOVED

PROPOSED SINGLE-YELLOW LINE PARKING RESTRICTION TO EXTEND TO ALEXANDRA CRESCENT

8

PROPOSED SINGLE-YELLOW LINE PARKING RESTRICTION TO REPLACE EXISTING BUS STAND MARKINGS

PROPOSED SINGLE-YELLOW LINE PARKING RESTRICTION TO TIE INTO EXISTING

PROPOSED RELOCATED SCHOOL KEEP CLEAR MARKINGS

1
2
3
4
5
6
7
8
9
10
11
12
13
14
15
16
17
18
19
20
21
22
23
24

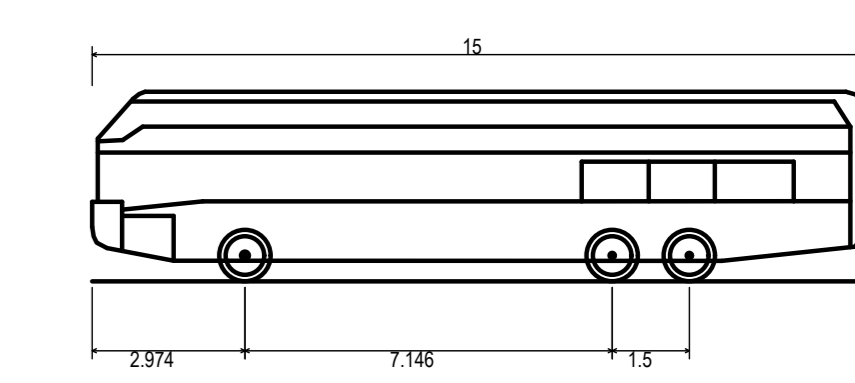
Notes:

- DRAWING BASED ON THE FOLLOWING:
CORE LTD DRAWING: SITE LAYOUT AS PROPOSED: DRAWING NUMBER: 5002-COBSH-ZZ-DN-L-0002 REVISION P08, ISSUED OCTOBER 2019.

Key:

DROPPED KERB

Vehicle Details:



National Express Coach (15m)	15.000m
Overall Length	2.550m
Overall Width	3.690m
Overall Body Height	0.397m
Min Body/Ground Clearance	2.500m
Track Width	4.00s
Lock to lock time	12.500m
Wait to Wait Turning Radius	

C	Proposed bus stop flag added.	02.12.19	IE	BL	BL
B	Minor amendments.	18.11.19	IE	BL	BL
A	Minor amendments.	14.11.19	IE	BL	BL
Mark	Revision	Date	Drawn	Chkd	Appd

SCALING NOTE: Do not scale from this drawing. If in doubt, ask.
 UTILITIES NOTE: The position of any existing public or private sewers, utility services, plant or apparatus shown on this drawing is believed to be correct, but no warranty to this is expressed or implied. Other such plant or apparatus may also be present but not shown. The Contractor is therefore advised to undertake their own investigation where the presence of any existing sewers, services, plant or apparatus may affect their operations.

Drawing Issue Status

INFORMATION

QUEEN ELIZABETH HIGH SCHOOL & HEXHAM MIDDLE SCHOOL

WHETSTONE BRIDGE ROAD PROPOSALS

Client

GallifordTry logo
 Date of 1st Issue: 11.11.2019
 All Scale: 1:250
 Drawing Number: 46020/5501/006
 Design: IE
 Drawn: IE
 Checked: BL
 Approved: BL
 Revision: C
 pba peterbrett logo
 now part of Stantec logo
 peterbrett.com
 © Peter Brett Associates LLP

15m COACH EXITING SITE

coaching parking
9 spaces

barrier

WHETSTONE BRIDGE ROAD

